



US007900315B2

(12) **United States Patent**
Cunningham

(10) **Patent No.:** **US 7,900,315 B2**
(45) **Date of Patent:** **Mar. 8, 2011**

(54) **INTEGRATED CENTRAL VACUUM
CLEANER SUCTION DEVICE AND
CONTROL**

(75) Inventor: **J. Vern Cunningham**, Aurora (CA)

(73) Assignee: **Cube Investments Limited**, Aurora
(CA)

(*) Notice: Subject to any disclaimer, the term of this
patent is extended or adjusted under 35
U.S.C. 154(b) by 699 days.

3,570,809 A 3/1971 Stuy
3,626,545 A 12/1971 Sparrow
3,628,769 A 12/1971 Lee
3,661,356 A 5/1972 Tucker
3,663,845 A 5/1972 Apstein
3,676,986 A 7/1972 Reiling
3,826,464 A 7/1974 Berghoefer
3,855,665 A 12/1974 Schwartz
3,965,526 A 6/1976 Doubleday
3,989,311 A 11/1976 Debrey
4,056,334 A 11/1977 Fortune
4,070,586 A 1/1978 Breslin

(Continued)

(21) Appl. No.: **11/245,219**

(22) Filed: **Oct. 7, 2005**

(65) **Prior Publication Data**

US 2007/0079469 A1 Apr. 12, 2007

(51) **Int. Cl.**

A47L 5/38 (2006.01)
A47L 15/00 (2006.01)
A47L 5/00 (2006.01)
A47L 11/00 (2006.01)
A47L 13/00 (2006.01)
A63B 47/04 (2006.01)
A63D 5/10 (2006.01)

(52) **U.S. Cl.** **15/319**; 15/301; 15/413

(58) **Field of Classification Search** 15/301-319,
15/413

See application file for complete search history.

(56) **References Cited**

U.S. PATENT DOCUMENTS

1,601,531 A 9/1926 Jeannin
1,883,288 A 10/1932 Zubaty
3,088,484 A * 5/1963 Marsh 137/360
3,382,524 A 5/1968 Sandstrom
3,477,689 A 11/1969 Berghoefer
3,483,503 A 12/1969 Pardiso
3,565,103 A 2/1971 Maselek

FOREIGN PATENT DOCUMENTS

EP 0 192 469 A2 8/1986

(Continued)

OTHER PUBLICATIONS

Japan Patent Office, English translation of publication No. JP 2005-102465 A2, Generator Motor Coupled Integrally With Control Unit, publication date Apr. 14, 2005, printed Feb. 1, 2006, pp. 42.

(Continued)

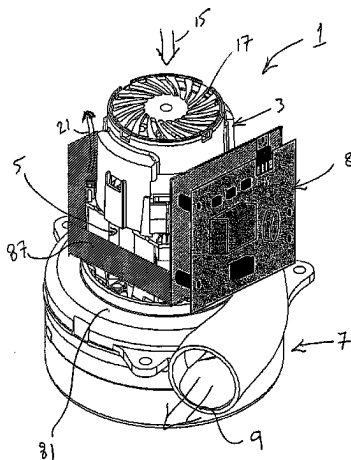
Primary Examiner — Bryan R Muller

(74) *Attorney, Agent, or Firm* — Dowell & Dowell, P.C.

(57) **ABSTRACT**

An integrated apparatus has a cooling section, a motor section, a suction section and control module. The motor section drives the suction section to draw vacuum air through inlet and exhaust vacuum air through outlet. The motor section also drives the cooling section to draw cooling air through cooling air inlet, and push it through the motor section to cool the motor section. The control module controls the operation of the motor section. The control module is located in the cooling air path after the motor section. The cooling air for the motor section also cools the control module. The cooling section, motor section, suction section and control module are integrally mounted to form a single unit.

18 Claims, 6 Drawing Sheets



US 7,900,315 B2

Page 2

U.S. PATENT DOCUMENTS								
4,111,615	A	9/1978	Watanabe	5,542,146	A *	8/1996	Hoekstra et al.	15/319
4,114,557	A	9/1978	De Brey	5,554,049	A	9/1996	Reynolds	
4,175,892	A	11/1979	De Brey	5,560,076	A	10/1996	Leung	
4,225,272	A	9/1980	Palmovist	5,568,374	A	10/1996	Lindeboom et al.	
4,227,258	A	10/1980	Root et al.	5,572,767	A	11/1996	Ishikawa	
4,246,675	A	1/1981	Costanzo	5,578,795	A	11/1996	Ward	
4,300,262	A	11/1981	Rodowsky, Jr. et al.	5,606,767	A	3/1997	Crienjak	
4,336,427	A	6/1982	Lindsay	5,655,884	A	8/1997	Rose	
4,368,348	A	1/1983	Eichelberger et al.	5,698,957	A	12/1997	Sowada	
4,369,543	A	1/1983	Chen et al.	5,713,656	A	2/1998	Lin	
4,370,776	A	2/1983	Kullik	5,722,110	A	3/1998	McIntyre et al.	
4,443,906	A	4/1984	Tucker et al.	5,737,797	A *	4/1998	Rittmueller et al.	15/326
4,473,923	A	10/1984	Neroni et al.	5,737,798	A	4/1998	Moren et al.	
4,490,575	A	12/1984	Kutnyak	5,740,581	A	4/1998	Harrelson, II	
4,494,270	A	1/1985	Ritzau et al.	5,740,582	A	4/1998	Harrelson, II	
4,513,469	A	4/1985	Godfrey et al.	5,747,973	A	5/1998	Robitaille et al.	
4,531,796	A	7/1985	Gansert et al.	5,753,989	A	5/1998	Syverson et al.	
4,536,674	A	8/1985	Schmidt	5,813,085	A *	9/1998	Fritz et al.	15/314
4,591,368	A	5/1986	MacDuff	5,815,883	A	10/1998	Stein et al.	
4,611,365	A	9/1986	Komatsu et al.	5,815,884	A	10/1998	Imamura	
4,654,924	A	4/1987	Getz et al.	5,816,685	A	10/1998	Hou	
4,664,457	A	5/1987	Suchy	5,850,665	A	12/1998	Bousset	
4,680,827	A	7/1987	Hummel	5,871,152	A	2/1999	Saney	
4,683,515	A	7/1987	Beihoff et al.	D406,422	S	3/1999	Burchard et al.	
4,688,596	A	8/1987	Liebmann	5,893,194	A	4/1999	Karmel	
4,693,324	A	9/1987	Choiniere et al.	5,896,618	A	4/1999	Woo et al.	
4,731,545	A	3/1988	Lerner et al.	5,917,428	A *	6/1999	Discenzo et al.	340/870.01
4,757,574	A	7/1988	Sumerau	5,918,728	A	7/1999	Syverson	
4,766,628	A	8/1988	Walker	5,924,163	A	7/1999	Burns, Jr.	
4,791,700	A	12/1988	Bigley et al.	5,924,164	A	7/1999	Lindsay, Jr.	
4,829,625	A	5/1989	Wang	5,926,908	A	7/1999	Lindsay, Jr.	
4,829,626	A	5/1989	Harkonen et al.	5,926,909	A	7/1999	McGee	
4,854,887	A	8/1989	Blandin	5,938,061	A	8/1999	Ward et al.	
4,881,909	A	11/1989	Blackman	5,945,749	A	8/1999	Li	
4,883,982	A *	11/1989	Forbes et al.	5,983,443	A	11/1999	Redding	310/62
D315,043	S	2/1991	Hayden	5,987,697	A	11/1999	Song et al.	
4,991,253	A	2/1991	Rechsteiner	6,011,334	A	1/2000	Roland	
5,033,151	A	7/1991	Kraft et al.	6,029,309	A	2/2000	Imamura	
5,067,394	A	11/1991	Cavallero	6,033,082	A	3/2000	Lin	
5,068,555	A *	11/1991	Oberdorfer-Bogel	6,049,143	A	4/2000	Simpson et al.	310/52
5,107,565	A	4/1992	Chun	6,101,667	A	8/2000	Ishikawa	
5,109,568	A	5/1992	Rohn et al.	D431,335	S	9/2000	Mehaffey et al.	
5,111,841	A	5/1992	Houston	6,143,996	A	11/2000	Skanda	
5,120,983	A	6/1992	Samaan	6,169,258	B1	1/2001	Roney et al.	
5,125,125	A	6/1992	Barsacq	6,206,181	B1	3/2001	Syverson	
D333,023	S	2/1993	Herron, Jr.	6,218,798	B1	4/2001	Price et al.	
5,185,705	A	2/1993	Farrington	6,232,696	B1	5/2001	Kim et al.	
D334,447	S	3/1993	Rohn	6,239,576	B1	5/2001	Breslin et al.	
5,191,673	A	3/1993	Damizet	6,244,427	B1	6/2001	Syerson	
5,207,498	A	5/1993	Lawrence et al.	6,253,414	B1	7/2001	Bradd et al.	
5,244,409	A	9/1993	Guss et al.	6,256,833	B1	7/2001	Steinberg	
5,255,409	A	10/1993	Fujiwara et al.	6,323,570	B1	11/2001	Nishimura et al.	
5,263,502	A	11/1993	Dick	6,336,825	B1	1/2002	Seefried	
5,265,305	A	11/1993	Kraft et al.	6,425,293	B1	7/2002	Woodroffe et al.	
5,274,578	A	12/1993	Noeth	6,459,056	B1	10/2002	Graham	
5,274,878	A	1/1994	Radabaugh et al.	6,463,368	B1	10/2002	Feiten et al.	
5,276,434	A	1/1994	Brooks et al.	6,488,475	B2 *	12/2002	Murata et al.	417/32
5,276,939	A	1/1994	Uenishi	6,546,814	B1	4/2003	Choe et al.	
5,277,468	A	1/1994	Blatt et al.	6,628,019	B2	9/2003	Carroll	
5,298,821	A	3/1994	Michel	6,658,325	B2	12/2003	Zweig	
5,301,385	A	4/1994	Abe et al.	6,685,491	B2	2/2004	Gergek	
5,311,639	A	5/1994	Boshler	6,690,804	B2	2/2004	Everett	
5,343,590	A	9/1994	Radabaugh	D494,332	S	8/2004	Schroeter	
5,347,186	A	9/1994	Konotchick	D494,333	S	8/2004	Schroeter	
5,349,146	A	9/1994	Radabaugh	6,779,228	B2 *	8/2004	Plomteux et al.	15/326
5,353,468	A	10/1994	Yap et al.	6,791,205	B2	9/2004	Woodbridge	
5,363,534	A	11/1994	Dekker et al.	6,817,058	B1	11/2004	Harrelson, II	
5,379,796	A	1/1995	Wang	6,822,353	B2	11/2004	Koga et al.	
5,391,064	A	2/1995	Lopez	6,864,594	B2	3/2005	Seki	
5,404,612	A	4/1995	Ishikawa	6,900,565	B2	5/2005	Preston	
5,409,398	A	4/1995	Chadbourne et al.	6,975,043	B2	12/2005	Schumacher et al.	
5,448,827	A	9/1995	Ward	6,975,993	B1	12/2005	Lin	
D364,014	S	11/1995	Langeland et al.	7,051,398	B2	5/2006	Smith et al.	
5,479,676	A	1/1996	Martin et al.	7,080,425	B2	7/2006	Smith et al.	
5,504,971	A	4/1996	McCormick	7,114,216	B2	10/2006	Stephens et al.	
5,512,883	A	4/1996	Lane, Jr.	7,122,921	B2	10/2006	Hall et al.	
5,515,572	A	5/1996	Hoekstra et al.	7,237,298	B2	7/2007	Reindle et al.	
5,525,842	A	6/1996	Leininger	7,269,877	B2	9/2007	Tondra et al.	
				7,328,479	B2	2/2008	Willenbring	

US 7,900,315 B2

Page 3

7,331,083	B2	2/2008	Overvaag et al.	JP	5-003839	1/1993
7,342,372	B2	3/2008	Jonsson et al.	JP	5-317213	12/1993
7,363,679	B2	4/2008	Zimmerle et al.	JP	6-277167	10/1994
7,403,360	B2	7/2008	Cunningham et al.	JP	7-095944	4/1995
7,406,744	B2*	8/2008	Bruneau	JP	7322980	12/1995
2002/0001190	A1	1/2002	Everett	JP	8-033596	2/1996
2002/0042965	A1*	4/2002	Salem et al.	JP	8-065876	3/1996
2002/0127916	A1	9/2002	Zhang	JP	8-117165	5/1996
2002/0152576	A1	10/2002	Murray et al.	JP	8-240329	9/1996
2003/0044243	A1	3/2003	Tisdale	JP	9-149871	6/1997
2003/0140443	A1	7/2003	Najm	JP	10-094504	4/1998
2003/0196293	A1	10/2003	Ruff	JP	2000-116577	4/2000
2004/0031506	A1	2/2004	Tsai	JP	2001-137158	5/2001
2004/0049868	A1	3/2004	Ng	JP	2002-078656	3/2002
2004/0144633	A1	7/2004	Gordon et al.	JP	2002-320577	11/2002
2004/0150271	A1	8/2004	Koga et al.	JP	2003-235767	8/2003
2004/0172782	A1	9/2004	Smith et al.	JP	2009-058919	3/2009
2004/0177468	A1	9/2004	Smith et al.	WO	9737423	10/1997
2004/0231090	A1*	11/2004	Kushida et al.	WO	9741631	11/1997
2004/0261211	A1	12/2004	Overvaag et al.	WO	98/35160	8/1998
2005/0022329	A1	2/2005	Harman et al.	WO	99/09875	3/1999
2005/0022337	A1*	2/2005	Roney et al.	WO	9956606	11/1999
2005/0166351	A1	8/2005	Cunningham et al.	WO	0064323	11/2000
2005/0236012	A1	10/2005	Josefsson et al.	WO	2005/031169	4/2005
2005/0245194	A1	11/2005	Hayes et al.	WO	2007/017057	2/2007
2005/0254185	A1*	11/2005	Cunningham			
2007/0283521	A1	12/2007	Foster et al.			
2008/0066252	A1	3/2008	Herron, Jr.			
2008/0222836	A1	9/2008	Cunningham			
2008/0301903	A1	12/2008	Cunningham et al.			

OTHER PUBLICATIONS

Audioetcetera, Wireless Remote Control for Filtex Vacuum Systems, <http://www.audio-etcetera.com/prod.itml/icOid/135540>, 1 page.

Central Vacuum Systems Owners Guide, M&S Systems, 6 pages.

Heritage Central Vacuum, Crush Proof Hoses Non-Electric, <http://www.heritagevac.com/hosesnonelectric.html>, printed Sep. 21, 2005, pp. 4, Azusa, USA.

New Central Vacuum Breaks Home Automation Barrier, Business Wire dated Feb. 26, 2002, 2 pages.

The Eureka Company, Cordless, Rechargeable Vacuum Cleaner, Household Type, Owner's Guide, Model 570, 2000, pp. 12, Bloomington, USA.

The Eureka Company, Cordless, Rechargeable Vacuum Cleaner, Household Type, Owner's Guide, Model 96B, 2001, pp. 12, Bloomington, USA.

Ultimate Air Inc., The UltimateAir RecoupAerator 200DX Energy Recovery Ventilator, Owner's Manual and Installation Guide, Jan. 24, 2006, pp. i-iv, 1-41 Athens, USA.

* cited by examiner

FOREIGN PATENT DOCUMENTS

EP	0347223	12/1989
EP	0552978	7/1993
EP	0499235	9/1995
EP	0711023	5/1996
EP	0773619	5/1997
GB	2281507	3/1995
GB	2288115	10/1995
JP	5-3058160	5/1978
JP	5-3128158	11/1978
JP	60-026494	2/1985
JP	64-049526	2/1989
JP	2-152419	6/1990
JP	2-152420	6/1990
JP	4-017830	1/1992

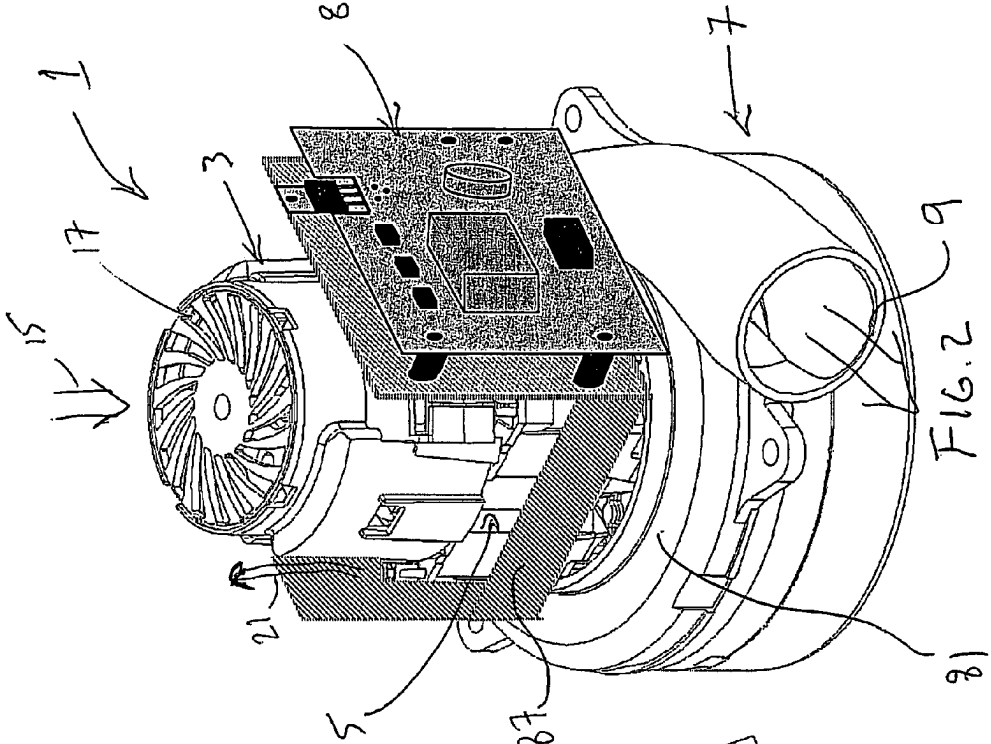


FIG. 2

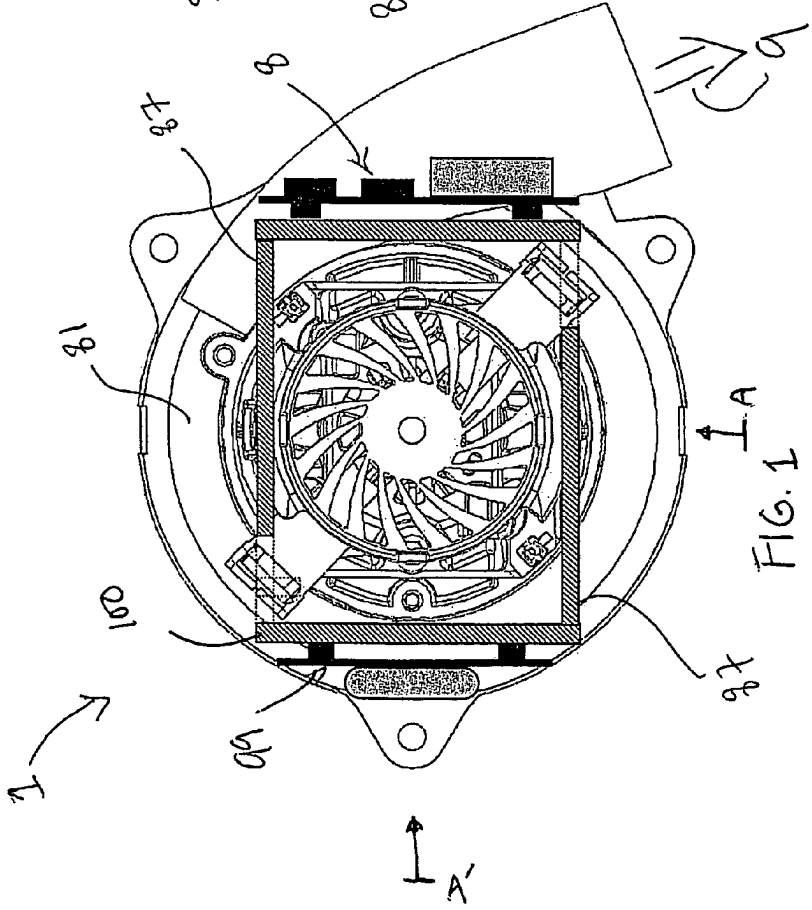


FIG. 1

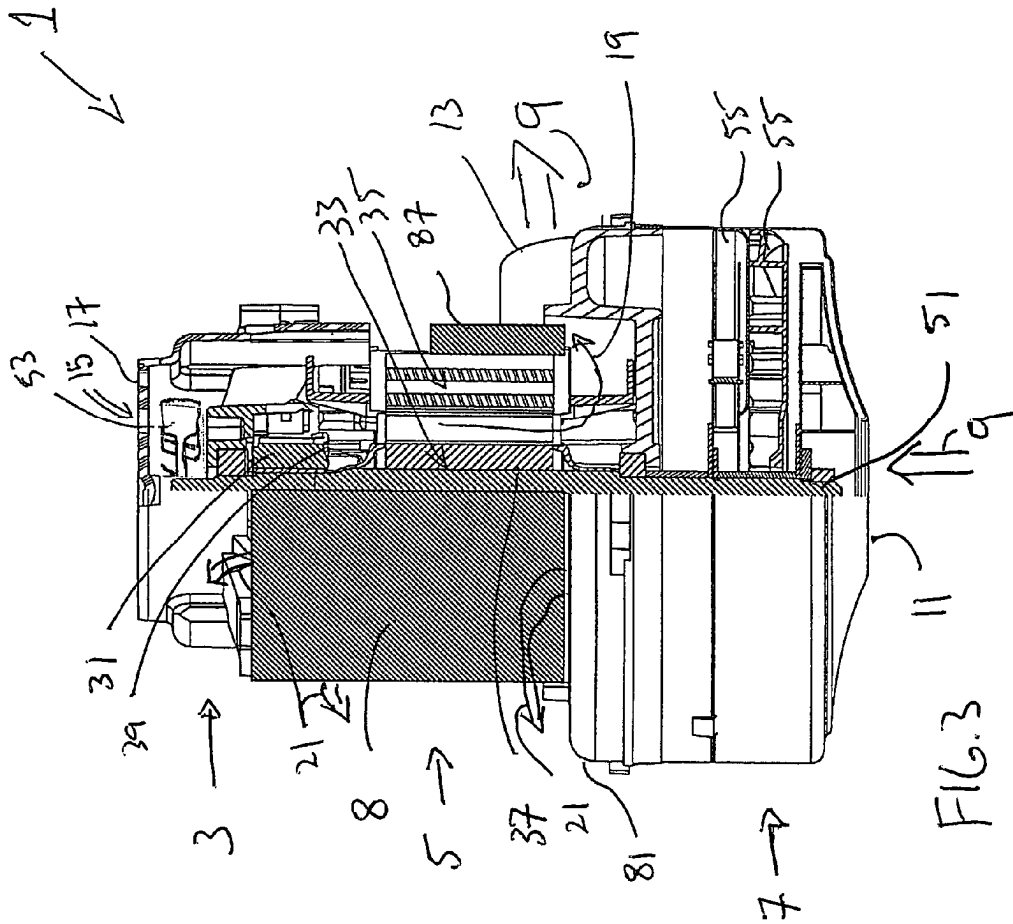


FIG. 3

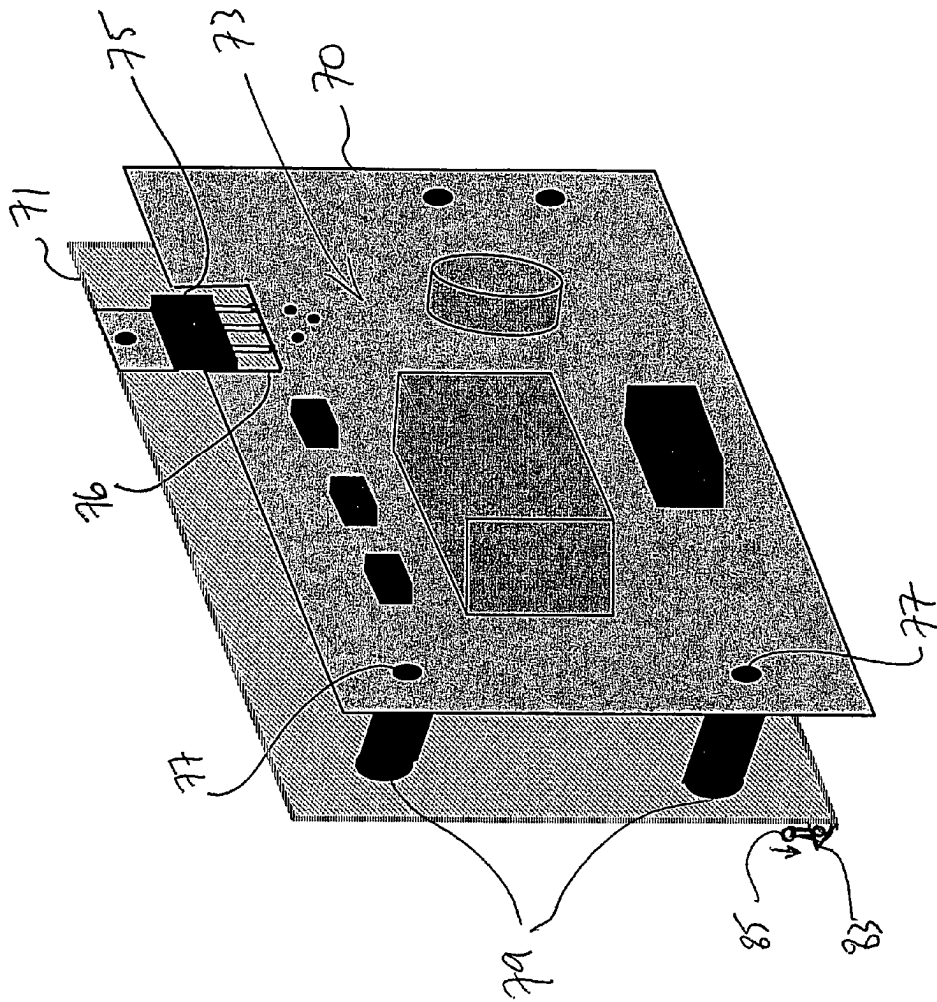


FIG. 4

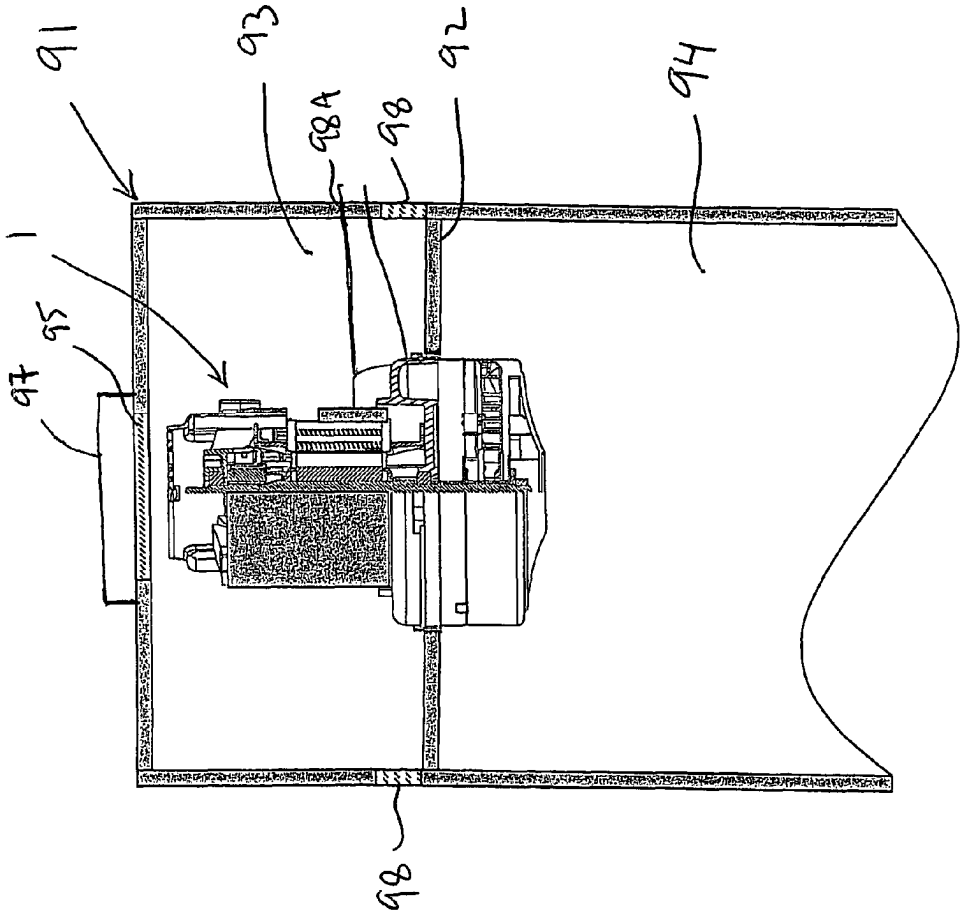
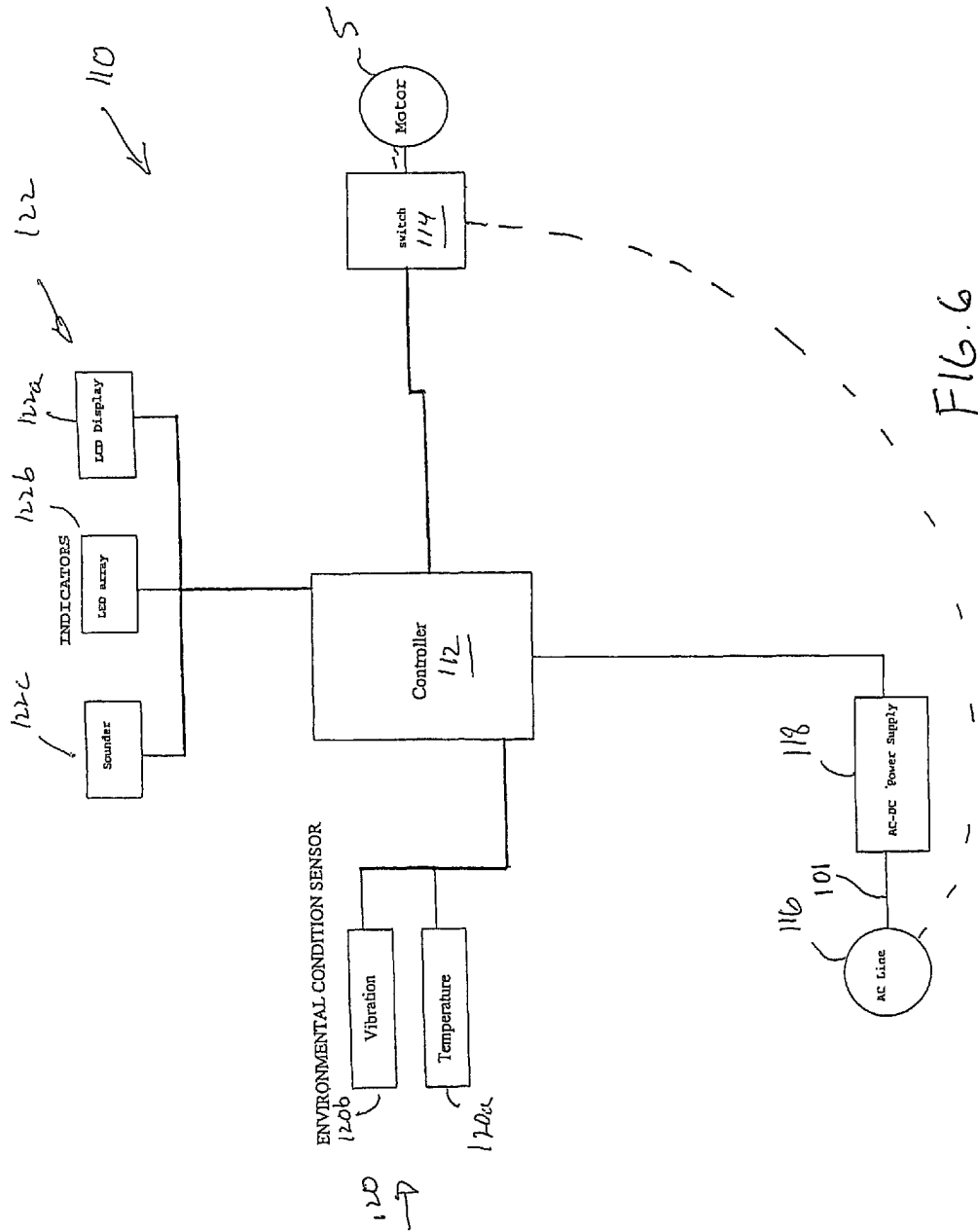


FIG. 5



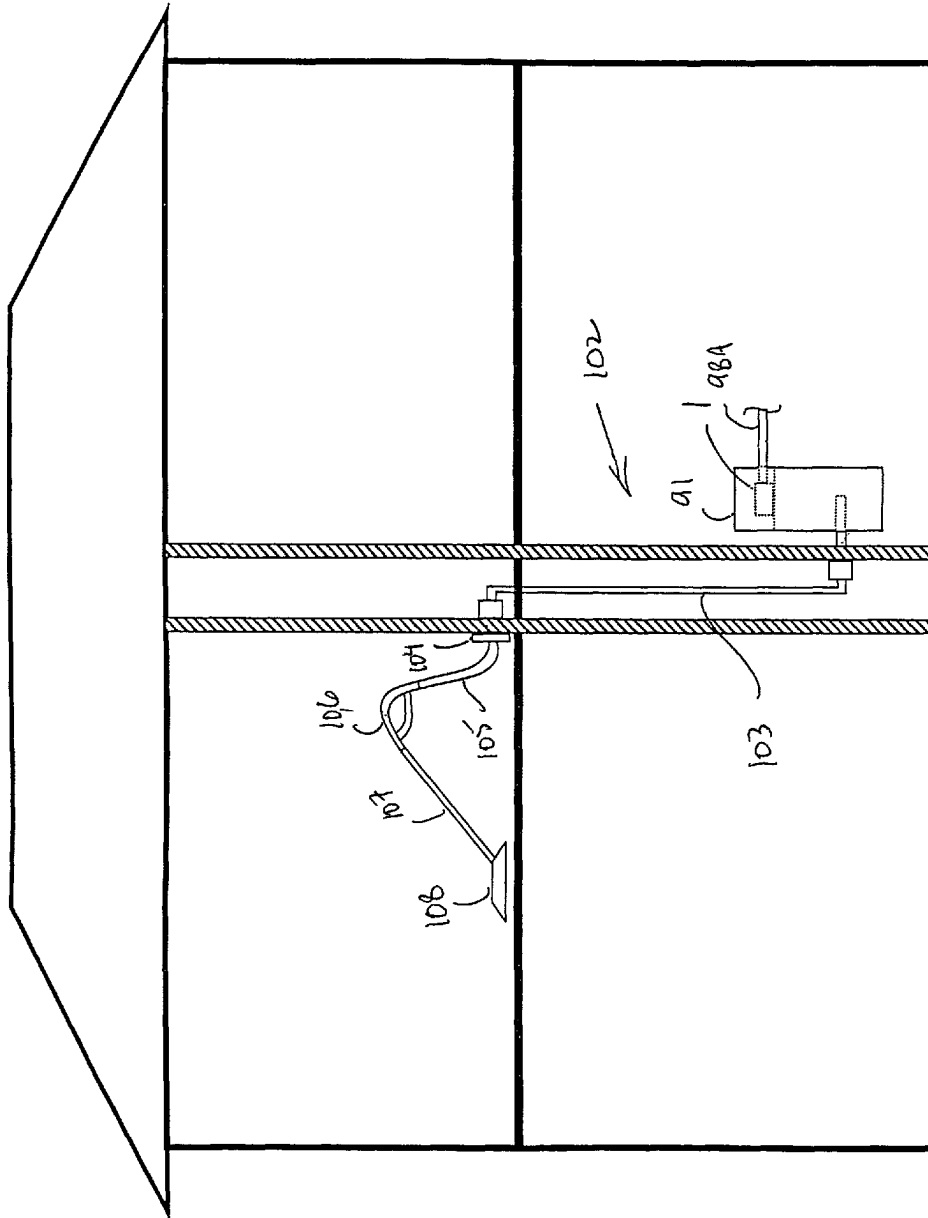


FIG. 7

1

INTEGRATED CENTRAL VACUUM CLEANER SUCTION DEVICE AND CONTROL

FIELD OF THE INVENTION

The invention relates to suction devices for central vacuum cleaning systems.

BACKGROUND OF THE INVENTION

Central vacuum cleaning systems were originally quite simple. One placed a powerful central vacuum source external to the main living space. The source was connected through interior walls to a long flexible hose that terminated in a handle and nozzle. When an operator desired to use the system, the operator went to the source and turned it on. The operator then went inside, picked up the handle and directed the nozzle to an area to be cleaned.

Although many elements of the basic system remain, many improvements have been made. Rigid pipes typically run inside interior walls to numerous wall valves spaced throughout a building. This allows an operator to utilize a smaller hose while covering an equivalent space. This is an advantage as the hose can be quite bulky and heavy.

Various communication systems have been developed. Some systems sense sound or pressure in the pipes to turn the vacuum source on or off, see for example U.S. Pat. No. 5,924,164 issued 20 Jul. 1999 to Edward W. Lindsay under title ACOUSTIC COMMUNICATOR FOR CENTRAL VACUUM CLEANERS. Other systems run low voltage wires between the source and the wall valve. The source can be turned on and off at a wall valve by a switch that may be activated by insertion or removal of the hose. The hose may also contain low voltage wires to allow the source to be controlled from a switch in the handle, see for example U.S. Pat. No. 5,343,590 issued 6 Sep. 1994 to Kurtis R. Radabaugh under title LOW VOLTAGE CENTRAL VACUUM CONTROL HANDLE WITH AN AIR FLOW SENSOR. The switch can be a simple toggle switch, or a more sophisticated capacitive switch.

The low voltage wires running along the pipes can be replaced by conductive tape or the like on the pipes, see for example U.S. Pat. No. 4,854,887 issued 8 Aug. 1989 to Jean-Claude Blandin under title PIPE SYSTEM FOR CENTRAL SUCTION CLEANING INSTALLATION. Separate low voltage conductors in the walls can be avoided altogether by home using mains power wires to transmit communication signals between the wall valve and the source, see for example U.S. Pat. No. 5,274,878 issued 4 Jan. 1994 to Kurtis R. Radabaugh et al under title REMOTE CONTROL SYSTEM FOR CENTRAL VACUUM SYSTEMS. A handheld radio frequency wireless transmitter can be used by an operator to turn the source on or off, see for example U.S. Pat. No. 3,626,545 issued 14 Dec. 1971 to Perry W. Sparrow under title CENTRAL VACUUM CLEANER WITH REMOTE CONTROL.

Line voltage can be brought adjacent the vacuum wall valves and connected to the handle through separate conductors, or integrated spiral wound conductors on the hose. Line voltage can then be brought from the handle to powered accessories, such as an electrically-powered beater bar, connected to the nozzle. Line voltage can be switched on and off to the powered accessory using the same switch in the handle that controls the source. Alternatively, the powered accessory may have its own power switch.

2

A control module mounted to the central vacuum unit is typically used to control the vacuum source. As central vacuum cleaning systems have become more and more sophisticated, so has the control module.

Improvements to, or additional or alternative features for, central vacuum cleaning systems are desirable.

SUMMARY OF THE INVENTION

In a first aspect the invention provides an apparatus for use in a central vacuum cleaner unit. The device includes a high speed suction device having a cooling section, a motor section, and a suction section, and includes a control module. The motor section drives the suction section to draw vacuum air. The motor section drives the cooling section to provide cooling air for cooling the motor section. The control module controls power to the motor section. The control module and suction device are integrally mounted as a single unit.

The control module may be mounted in a path of the cooling air after the motor section. The control module may be affixed to the suction device. The control module may include a vibration sensor for sensing vibrations from the suction device. The control module may include a temperature sensor for sensing temperature of the suction device. The control module may include at least one environmental condition sensor for sensing at least one environmental condition of the suction device.

In a second aspect the invention provides a central vacuum unit for use in a central vacuum cleaning system. The unit includes the apparatus of the first aspect, a motor chamber, and a suction chamber. The apparatus is mounted such that vacuum air is drawn through the suction chamber by the suction section and cooling air is drawn through the motor chamber by the cooling section.

In a third aspect the invention provides a central vacuum cleaning system including the central vacuum unit of the second aspect, a handle, at least one wall valve, vacuum hose for connection between the handle and the wall valve, and piping for connection between the at least one wall valve and the central vacuum unit.

Other aspects of the invention will be evident from the principles contained in the description and drawings herein.

BRIEF DESCRIPTION OF THE DRAWINGS

For a better understanding of the present invention and to show more clearly how it may be carried into effect, reference will now be made, by way of example, to the accompanying drawings which show the preferred embodiment of the present invention and in which:

FIG. 1 is a top of view of an apparatus in accordance with a preferred embodiment of the present invention.

FIG. 2 is a perspective view of the apparatus of FIG. 1.

FIG. 3 is a side view of the apparatus of FIG. 1 cut-away along the line A-A' of FIG. 1.

FIG. 4 is a perspective view of a control module used in the apparatus of FIG. 1.

FIG. 5 is a side cross-section view of a preferred embodiment of a central vacuum unit containing the apparatus as shown in FIG. 4.

FIG. 6 is a block diagram of a preferred embodiment of a control circuit for a central vacuum unit containing the apparatus of FIG. 1.

FIG. 7 is a side cross-section of a dwelling with a preferred embodiment of a central vacuum system incorporating the unit of FIG. 5.

DETAILED DESCRIPTION OF THE PREFERRED EMBODIMENT

Referring to the FIGS., an integrated apparatus **1** has a suction device with a cooling section **3**, a motor section **5**, a suction section **7**. The apparatus **1** also has a control module **8**. The motor section **5** drives the suction section **7** to draw vacuum air, as shown by arrows **9**, through inlet **11** and exhaust vacuum air through outlet **13**. The motor section **5** also drives the cooling section **3** to draw cooling air, as shown by arrows **15**, through cooling air inlet **17** and push it through the motor section **5**, as shown by arrows **19**, to cool the motor section **5**.

The control module **8** controls the operation of the motor section **5**. The control module **8** is located in the cooling air path after the motor section **5**, as indicated by arrows **21**. The cooling air for the motor section **5** also cools the control module **8**.

The cooling section **3**, motor section **5**, suction section **7** and control module **8** are integrally mounted to form a single unit. This allows a designer of the apparatus **1** to ensure that components of the apparatus **1** are properly matched. It also allows the apparatus **1** to be certified as a whole. A central vacuum manufacturer will not need to obtain its own certification for a central vacuum unit in addition to a certification obtained for the apparatus **1** and the control module **8**. Typically, a central vacuum manufacturer must obtain its own certification for the central vacuum unit as the separate mounting of a control and a motor in a central vacuum unit creates a device separate from the control and the motor for regulatory purposes.

Referring to FIG. **3**, the motor section **5** in central vacuum applications is typically a universal motor having a commutator **31**, rotor **33** and stator **35**. The rotor **33** has rotor laminations **37** and rotor windings **39**. The stator **35** has stator laminations **41** and stator windings **43**. The rotor windings **39** and the stator windings, not shown, are powered through the commutator **31**.

The rotor **33** is mounted on a shaft **51** such that rotation of the rotor **33** causes the shaft **51** to rotate.

A universal motor is typically used in central vacuum applications to obtain the high speeds necessary for adequate suction. The principles described herein can be applied to other motors for central vacuum applications to the extent that such motors require a separate control module or that such motors require an air driven cooling section.

The cooling section **3** utilizes the shaft **51** and a set of rotary fan blades **53** to drive the cooling air. The fan blades **53** rotate with the shaft **51**.

The suction section **7** will typically use a multi-stage impeller **55** mounted on the shaft **51**. As the shaft **51** rotates the impeller **55** rotates and draws vacuum air **9** through the apparatus **1**. As is known in the art, other suction sections **7** could be used.

Referring to FIG. **4** the control module **8** has a printed circuit board **70** and a heat sink **71**. Components, indicated generally by **73**, used in the control module **8** are mounted on the printed circuit board **70**. Some components, for example power integrated circuits **75**, are also mounted to the heat sink **71**. These components **75**, particularly when placed in a partially enclosed environment with other heat producing sources, require the additional cooling heat sink **71** can provide. As the control module **8** is in the cooling air path, the heat sink **71** can typically be smaller than a heat sink that is used for a control module mounted to the central vacuum unit housing as is known in the art.

Access through the printed circuit board **70** for mounting the components **75** to the heat sink **71** is provided by cutout **76**. The components **75** must be held in thermal contact with the heat sink **71** for operation. The components **75** may be bolted to the heat sink **71**; however, this may not be necessary as the components **75** will be held in place by solder at the printed circuit board **70**. A thermally conductive paste may be used between the components **75** and the heat sink **71**.

The heat sink **71** and printed circuit board **70** are mounted to one another using bolts or other securing members **77**. A standoff **79** may be provided between the heat sink **71** and the printed circuit board **70** to allow for air flow between the heat sink **71** and the printed circuit board **70**. The standoff **79** may be in the form of a sleeve about the securing member **77**.

The control module **8** may be mounted in a variety of ways. For example, the control module **8** may be affixed to mounting plate **81** that forms an upper portion of the suction section **7** and a lower portion of the motor section **5**. A mounting flange **83** may be provided on the heat sink **71** for this purpose. Bolts or other securing members **85** may be used to secure the flange **83** to the mounting plate **81**.

The control module **8** may also be mounted by a strap **87** about the motor section **5**. One or more standoffs, not shown, may be required in order to provide proper spacing to allow cooling air to flow from the motor section **5** across the heat sink **71**. The strap **87** may be a continuous piece of material that extends around the motor section **5** and the heat sink **71**. The strap **87** may be a continuous piece of material that is attached to the heat sink **71** on opposite sides of the motor section **5** and extends about the motor section **5**. The strap **87** may also be made up of a series of straight pieces of material that are attached to one another to extend around the motor section **5**.

Other possible ways of mounting the control module **8** will be evident to those skilled in the art based on the principles described herein.

The control module **8** may be shaped to fit around protrusions from the motor section **5**.

Referring to FIG. **5**, in a central vacuum unit **91** the apparatus **1** may be secured at the mounting plate **81** to a mounting bracket **92** that divides a motor chamber **93** from a suction chamber **94**. The motor section **5**, cooling section **3** and control module **8** are in the motor chamber **93**, while the suction section **7** is in the suction chamber **94**. An aperture **95** is provided in the motor chamber **93** to allow ambient air to be drawn into the cooling section from outside the central vacuum unit **91** a portion of the apparatus **1** may protrude through the aperture **95**. A shield **97** is usually mounted to the central vacuum unit **91** a distance above the apparatus **1** to ensure that cooling air is not inadvertently blocked by placing an object on the top of the central vacuum unit. Vents **98** are provided in the side of the motor chamber to allow cooling air to be exhausted from the unit. Vacuum air is exhausted from the unit **91** through piping **98A**. The control module **8** fits between the mounting plate and the top of the motor chamber **93**. Cooling air flows over and around the control module **8**.

As will be evident to those skilled in the art, apparatus **1** may be mounted within the unit **91** in many alternative ways. For example, a portion of the apparatus **1** may protrude through the aperture **95**. Also, the entire apparatus **1** may be within the motor chamber **93** with only an aperture, not shown, connecting the apparatus **1** to the suction chamber **94**.

The control module **8** is placed in the cooling air path after the motor section **5** and does not adversely affect the cooling of the motor section **5**.

Referring again to FIGS. **1** and **2**, as shown, an optional filter module **99** may be mounted to the apparatus **1** in a

5

manner similar to the control module 8. For example, as shown in the FIGS., the filter module 99 may be mounted on an opposing side of the motor section 5 from the control module 8. The strap 87 may be in two pieces joining the filter module 99 and the control module 8. This is most easily done by bolting the straps 87 into heat sink 71 and a heat sink 100 of the filter module 99. The straps 87 can be set such that they provide a press fit on the stator laminations. Many stator laminations used in vacuum cleaner motors have four opposing external sides. Other mounting methods will be evident to those skilled in the art based on the principles described herein.

The filter module 99 filters out electromagnetic interference (EMI) that may otherwise enter power lines 101 (FIG. 6) connected to the apparatus 1. As the filter module 99 and control module 8 are mounted to the apparatus 1, all related connecting wire may be minimized. This reduces the radiating antenna effect of the wires. This in turn reduces secondary induced EMI between the wires and the power lines 101.

Referring to FIG. 7, the central vacuum unit 91 is used to form part of a central vacuum system 102 utilizing piping 103, wall valves 104, hose 105, handle 106, wand 107, and attachments 108 in a similar manner to existing central vacuum cleaning systems uses existing suction devices.

Referring to FIG. 6, an example block diagram of a control circuit 110 for a central vacuum cleaning system 102 is shown. The control circuit 110 has a controller 112 and switch 114 for controlling line power 116 to motor section 5. The controller 112 and switch 114 form the control module 8 and are usually provided on a single printed circuit board 70. The switch 114 may, for example, be a relay or a triac, not shown.

The control module 8 typically includes an AC-DC power supply 118 for powering the controller 112 and other components. Optional environmental conditions sensors 120 may be included in the control module 8 or as inputs to the control module 8. The control module 8 may include indicators 122 for communication with a user. The indicators 122 may be remote from the control module 8.

The environmental condition sensors 120 sense information about the environment in which the control module 8 is located. Such sensors 120 may include, for example, a temperature sensor 120a or a vibration sensor 120b. Increased temperatures in the central vacuum unit 91 may indicate a problem with the apparatus 1, such as worn brushes in the motor. Similarly, vibrations may indicate a problem with the apparatus 1, such as worn bearings.

The physical location of the control module 8 in the cooling air path after the motor section 5 can provide an accurate measure of the temperature in the motor section 5. Mounting the control module 8 to the apparatus 1 can provide an accurate indication of vibration at the apparatus 1. The control module 8 can utilize inputs from a sensor 120 in any way desirable, for example, an alarm could be provided or power to the motor section 5 could be shut down.

The alarm or other communication may be transmitted from the control module 8 through wires or wirelessly for display through incorporating a display device, such as LCD display 122a or an LED array 122b or audible sounding through a sounder 122c, for example a speaker or a piezoelectric buzzer. Example communication configurations are described in the inventor's U.S. patent application Ser. No. 10/936,699 filed 9 Sep. 2004 and International Patent Application number PCT/CA2005/000715 filed 11 May 2005 under title Central Vacuum Cleaning System Control Subsystems the content of which are hereby incorporated by reference into this description.

6

It will be understood by those skilled in the art that this description is made with reference to the preferred embodiment and that it is possible to make other embodiments employing the principles of the invention which fall within its spirit and scope as defined by the following claims.

I claim:

1. An apparatus for use in a central vacuum unit for a central vacuum cleaning system, the apparatus comprising: a) a high speed suction device consisting of a cooling fan, a motor unit, and a suction unit, and b) a control module, wherein the motor unit drives the suction unit to draw vacuum air through the suction device, and the motor unit drives the cooling fan to provide cooling air for cooling the motor unit, and wherein the control module controls power to the motor unit, and wherein the control module is mounted directly to the suction device as a single unit,

wherein the control module is mounted in a path of the cooling air external to the cooling fan, motor unit, and suction unit, and the apparatus further comprising a strap, and wherein the control module is directly mounted to the suction device by the strap.

2. The apparatus of claim 1, wherein the control module is mounted in a path of the cooling air after the motor unit.

3. The apparatus of claim 1, wherein the control module comprises a vibration sensor for sensing vibrations, and wherein the control module, motor unit, suction unit, and cooling fan are directly mounted such that vibrations from the motor unit are transmitted to the vibration sensor.

4. The apparatus of claim 1, wherein the control module comprises a temperature sensor for sensing temperature of the suction device.

5. The apparatus of claim 1, wherein the control module comprises at least one environmental condition sensor for sensing at least one environmental condition of the suction device.

6. The apparatus of claim 1 wherein the control module is directly mounted to the motor unit.

7. A central vacuum unit for use in a central vacuum cleaning system, the unit comprising:

a) an apparatus comprising: i) a high speed suction device consisting of a cooling fan, a motor unit, and a suction unit, and ii) a control module, wherein the motor unit drives the suction unit to draw vacuum air through the suction device, and the motor unit drives the cooling fan to provide cooling air for cooling the motor unit, and wherein the control module controls power to the motor unit, and wherein the control module is mounted directly to the suction device as a single unit, and wherein the control module is mounted in a path of the cooling air external to the cooling fan, motor unit, and suction unit, and the apparatus further comprising a strap, and wherein the control module is directly mounted to the suction device by the strap,

b) a motor chamber, and

c) a suction chamber,

wherein the apparatus is mounted such that vacuum air is drawn through the suction chamber by the suction unit and cooling air is drawn through the motor chamber by the cooling fan, and wherein the control module is within, and open to, the motor chamber.

8. The unit of claim 7, wherein the control module is mounted in a path of the cooling air after the motor unit.

9. The unit of claim 7, wherein the control module comprises a vibration sensor for sensing vibrations, and wherein the control module, motor unit, suction unit, and cooling fan are directly mounted such that vibrations from the motor unit are transmitted to the vibration sensor.

7

10. The unit of claim 7, wherein the control module comprises a temperature sensor for sensing temperature of the suction device.

11. The unit of claim 7, wherein the control module comprises at least one environmental condition sensor for sensing at least one environmental condition of the suction device.

12. The unit of claim 7 wherein the control module is directly mounted to the motor unit.

13. A central vacuum cleaning system comprising:

a) a central vacuum unit comprising:

A) an apparatus comprising: i) a high speed suction device consisting of a cooling fan, a motor unit, and a suction unit, and ii) a control module, wherein the motor unit drives the suction unit to draw vacuum air through the suction device, and the motor unit drives the cooling fan to provide cooling air for cooling the motor unit, and wherein the control module controls power to the motor unit, and wherein the control module is mounted directly to the suction device as a single unit, and wherein the control module is mounted in a path of the cooling air external to the cooling fan, motor unit, and suction unit, and the apparatus further comprising a strap, and wherein the control module is directly mounted to the suction device by the strap,

B) a motor chamber, and

C) a suction chamber, wherein the apparatus is mounted such that vacuum air is drawn through the suction

8

chamber by the suction unit and cooling air is drawn through the motor chamber by the cooling fan, and wherein the control module is within, and open to, the motor chamber,

b) a handle,

c) at least one wall valve,

d) vacuum hose for connection between the handle and the wall valve, and

e) piping for connection between the at least one wall valve and the central vacuum unit.

14. The system of claim 13, wherein the control module is mounted in a path of the cooling air after the motor unit.

15. The system of claim 13, wherein the control module comprises a vibration sensor for sensing vibrations, and wherein the control module, motor unit, suction unit, and cooling fan are directly mounted such that vibrations from the motor unit are transmitted to the vibration sensor.

16. The apparatus of claim 13, wherein the control module comprises a temperature sensor for sensing temperature of the suction device.

17. The apparatus of claim 13, wherein the control module comprises at least one environmental condition sensor for sensing at least one environmental condition of the suction device.

18. The system of claim 13 wherein the control module is directly mounted to the motor unit.

* * * * *